

# AMELIA

## MODERN BOLLARD



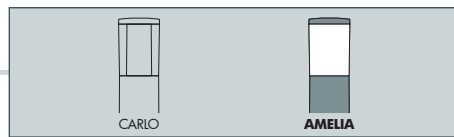
LED lamp range in modern style, made of shockproof resin material, UV-rays stabilized, rust and corrosion-free. Round bollards in different sizes, spike and wall mounted versions available. Provided with opal PMMA diffuser to get a uniform light distribution. Supplied with TÜV approved, long-life and efficient **E27 LED filament lamps** suitable for outdoor use **included**. Insulation class II, protection rating IP55.

*Collezione di lampade a LED in stile moderno, realizzata in resina antiurto, stabilizzata ai raggi UV, inattaccabile da ruggine e corrosione. Ampia gamma di versioni disponibili per installazioni su stelo bollard in diverse altezze, con picchetto o a parete. Lampada provvista di diffusore in metacrilato opale che garantisce un'uniforme distribuzione della luce. Fornita con **incluse lampadine LED a filamento E27** adatte ad uso in ambiente esterno, approvate TÜV, di lunga durata ed elevata efficienza. Classe di isolamento II, grado di protezione IP55.*



DR2.575.N1L



**AMELIA COMPONENTS**

**IP55**



**CAP** fixed to the diffuser with no visible screws made of shockproof resin material, UV-rays stabilized, rust and corrosion-free.

**CALOTTA** fissata al diffusore senza viti a vista, realizzata in resina antiurto, stabilizzata ai raggi UV, inattaccabile da ruggine e corrosione.

**DIFFUSER** in opal colour to get a uniform light distribution. Made of UV-rays stabilized polymethylmethacrilate (PMMA) and provided with silicone rubber gasket to ensure high protection against external agents.

**DIFFUSORE** in colore opale per garantire un'uniforme distribuzione della luce. Realizzato in polimetilmetacrilato (PMMA) resistente all'ingiallimento ed ai raggi UV, completo di guarnizione in gomma siliconica per garantire un alto livello di protezione contro gli agenti esterni.

**CONNECTION RING** made of shockproof resin material, provided with E27 lampholder.

**GHIERA** di raccordo realizzata in resina antiurto fornita completa di portalampada E27.

**INSTALLATION ELEMENTS:**

- POLES for bollard versions
- BRACKETS for wall mounted versions
- SPIKE for in ground installation

**ELEMENTI DI FISSAGGIO:**

- STELI per versione bollard
- SUPPORTI per installazione a parete
- PICCHETTO per istallazione nel terreno

**AMELIA**



**Dimensions**

Diameter: Ø100mm  
Height: 250/400/800 mm

**Moulded colours:**

- Black
- White
- Grey

**Diffuser PMMA:**

- Opal

**E27 LED**

\*ADD. SUFFIX



FILAMENT LED E27

6 W	800 Lm	4000 K	.F1L
		2700 K	.F1R
8 W	1000 Lm	4000 K	.M1L
		2700 K	.M1R
12 W	1500 Lm	4000 K	.N1L
		2700 K	.N1R

Bollard supplied as standard with TÜV approved, long-life and efficient **E27 LED filament lamp included**. Quick and easy lamp replacement for a very simple maintenance after installation.

- **SUITABLE FOR OUTDOOR USE:** 100-240 V built-in driver fully protected against heat and humidity by silicone paste.
- **OMNIDIRECTIONAL LIGHT:** 360° light output for a better lighting distribution.
- **HIGH EFFICIENCY:** 90% energy saving.

**LED LAMPS**



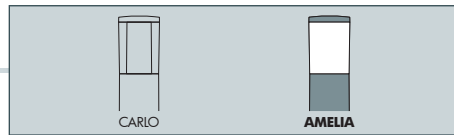
More technical details about TÜV approved Fumagalli LED Lamps on page 512.

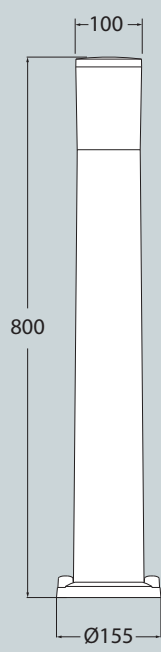
\* ADD THESE SUFFIXES TO THE REFERENCES MENTIONED IN THE CATALOGUE

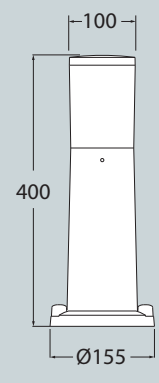
# AMELIA

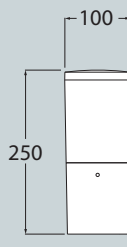
## MODERN BOLLARD

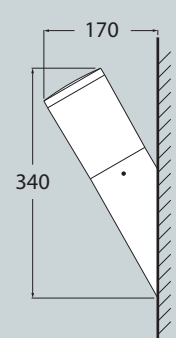


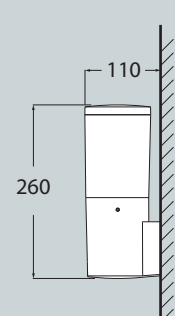


AMELIA 800		
DR2.575.F1L	<b>6W</b>	DR2.575.F1R
DR2.575.M1L	<b>8W</b>	DR2.575.M1R
DR2.575.N1L	<b>12W</b>	DR2.575.N1R
4000K	E27 FILAMENT LED LAMP INCLUDED	2700K
Pcs 6 Kg 15 mc 0,147		
		

AMELIA 400		
DR2.574.F1L	<b>6W</b>	DR2.574.F1R
DR2.574.M1L	<b>8W</b>	DR2.574.M1R
DR2.574.N1L	<b>12W</b>	DR2.574.N1R
4000K	E27 FILAMENT LED LAMP INCLUDED	2700K
Pcs 12 Kg 22,5 mc 0,147		
		

AMELIA 250		
DR2.573.F1L	<b>6W</b>	DR2.573.F1R
DR2.573.M1L	<b>8W</b>	DR2.573.M1R
DR2.573.N1L	<b>12W</b>	DR2.573.N1R
4000K	E27 FILAMENT LED LAMP INCLUDED	2700K
Pcs 20 Kg 21 mc 0,121		
		

AMELIA-FS		
DR2.571.F1L	<b>6W</b>	DR2.571.F1R
DR2.571.M1L	<b>8W</b>	DR2.571.M1R
DR2.571.N1L	<b>12W</b>	DR2.571.N1R
4000K	E27 FILAMENT LED LAMP INCLUDED	2700K
Pcs 20 Kg 21 mc 0,121		
		

AMELIA WALL		
DR2.570.F1L	<b>6W</b>	DR2.570.F1R
DR2.570.M1L	<b>8W</b>	DR2.570.M1R
DR2.570.N1L	<b>12W</b>	DR2.570.N1R
4000K	E27 FILAMENT LED LAMP INCLUDED	2700K
Pcs 20 Kg 21 mc 0,121		
		

AMELIA SPIKE		
DR2.572.F1L	<b>6W</b>	DR2.572.F1R
DR2.572.M1L	<b>8W</b>	DR2.572.M1R
DR2.572.N1L	<b>12W</b>	DR2.572.N1R
4000K	E27 FILAMENT LED LAMP INCLUDED	2700K
Pcs 20 Kg 21 mc 0,121		
