

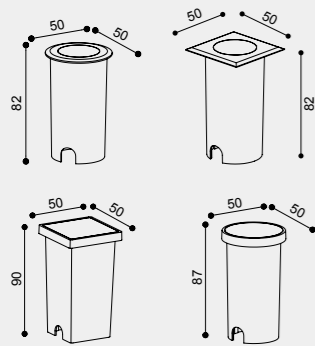
PATENTED DESIGN

ALUMINIUM
Stainless Steel
MAIN MATERIAL

PC
DIFFUSER MATERIAL

Class II
PROTECTION CLASS

IP65
INGRESS PROTECTION



2831



2831-A



2832



2833

2831

2831-A

LED
LIGHT SOURCE
100-240V
VOLTAGE
Ra≥80
RENDERING INDEX
2.0W
POWER
50lm
LUMINOUS FLUX

2835

LED
LIGHT SOURCE
100-240V
VOLTAGE
Ra≥80
RENDERING INDEX
2.0W
POWER
50lm
LUMINOUS FLUX



2835



2836

2832

2833

LED
LIGHT SOURCE
100-240V
VOLTAGE
Ra≥80
RENDERING INDEX
2.0W
POWER
30lm
LUMINOUS FLUX

2836

2837
2837-A

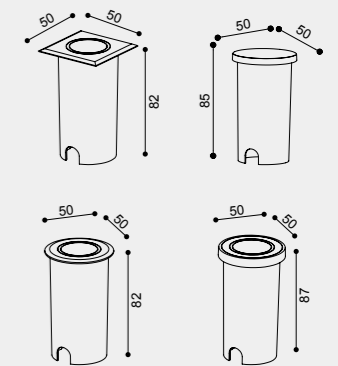
LED
LIGHT SOURCE
100-240V
VOLTAGE
Ra≥80
RENDERING INDEX
2.0W
POWER
20lm
LUMINOUS FLUX



2837



2837-A



PATENTED DESIGN

ALUMINIUM
MAIN MATERIAL

PC
DIFFUSER MATERIAL

Class II
PROTECTION CLASS

IP65
INGRESS PROTECTION

